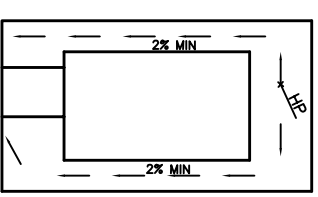
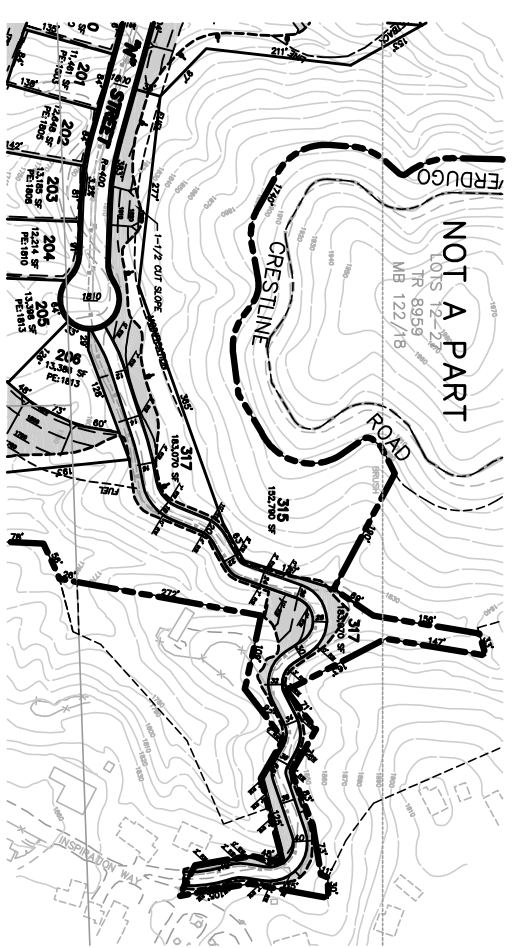


LOT NO.	DESCRIPTION	LOT SIZE (SF)	LOT NO.	DESCRIPTION	LOT SIZE (SF)	LOT NO.	DESCRIPTION	LOT SIZE (SF)	LOT NO.	DESCRIPTION	LOT SIZE (SF)	LOT NO.	DESCRIPTION	LOT SIZE (SF)	LOT NO.	DESCRIPTION	LOT SIZE (SF)			
1	Single-Family	20,336	41	Single-Family	28,490	81	Single-Family	11,374	121	Single-Family	18,205	161	Custom Lot	25,325	201	Single-Family	12,648	241	Single-Family	20,628
2	Single-Family	9,431	42	Single-Family	17,834	82	Single-Family	10,156	122	Single-Family	10,156	162	Single-Family	32,824	202	Single-Family	13,165	242	Single-Family	20,921
3	Single-Family	22,502	43	Single-Family	22,344	83	Single-Family	16,285	123	Single-Family	9,303	163	Single-Family	9,038	203	Single-Family	12,214	243	Single-Family	21,912
4	Single-Family	19,811	44	Single-Family	12,466	84	Single-Family	14,123	124	Single-Family	15,195	164	Single-Family	9,445	204	Single-Family	13,386	244	Single-Family	24,712
5	Single-Family	24,106	45	Single-Family	12,800	85	Single-Family	12,824	125	Single-Family	16,860	165	Single-Family	9,889	205	Single-Family	21,010	245	Single-Family	29,343
6	Single-Family	18,693	46	Single-Family	15,955	86	Single-Family	13,234	126	Single-Family	19,184	166	Single-Family	12,059	206	Single-Family	27,462	246	Single-Family	22,221
7	Single-Family	11,245	47	Single-Family	21,251	87	Single-Family	19,445	127	Single-Family	18,058	167	Single-Family	9,716	207	Single-Family	48,641	247	Single-Family	25,716
8	Custom Lot	10,892	48	Single-Family	24,720	88	Single-Family	14,919	128	Single-Family	21,178	168	Single-Family	10,313	208	Single-Family	23,026	248	Single-Family	20,457
9	Custom Lot	11,082	49	Single-Family	19,582	89	Single-Family	13,121	129	Single-Family	11,340	169	Single-Family	9,116	209	Single-Family	23,081	249	Single-Family	20,951
10	Custom Lot	10,892	50	Single-Family	19,582	90	Single-Family	13,121	130	Single-Family	11,340	170	Single-Family	9,116	210	Single-Family	23,081	250	Single-Family	20,951
11	Custom Lot	10,892	51	Single-Family	19,582	91	Single-Family	13,121	131	Single-Family	11,340	171	Single-Family	9,116	211	Single-Family	23,081	251	Single-Family	20,951
12	Custom Lot	10,892	52	Single-Family	19,582	92	Single-Family	13,121	132	Single-Family	11,340	172	Single-Family	9,116	212	Single-Family	23,081	252	Single-Family	20,951
13	Single-Family	13,582	53	Single-Family	24,486	93	Single-Family	14,123	133	Single-Family	12,824	173	Single-Family	10,313	213	Single-Family	23,081	253	Single-Family	20,951
14	Single-Family	13,582	54	Single-Family	24,486	94	Single-Family	14,123	134	Single-Family	12,824	174	Single-Family	10,313	214	Single-Family	23,081	254	Single-Family	20,951
15	Single-Family	13,582	55	Single-Family	24,486	95	Single-Family	14,123	135	Single-Family	12,824	175	Single-Family	10,313	215	Single-Family	23,081	255	Single-Family	20,951
16	Single-Family	13,582	56	Single-Family	24,486	96	Single-Family	14,123	136	Single-Family	12,824	176	Single-Family	10,313	216	Single-Family	23,081	256	Single-Family	20,951
17	Single-Family	13,582	57	Single-Family	24,486	97	Single-Family	14,123	137	Single-Family	12,824	177	Single-Family	10,313	217	Single-Family	23,081	257	Single-Family	20,951
18	Single-Family	13,582	58	Single-Family	24,486	98	Single-Family	14,123	138	Single-Family	12,824	178	Single-Family	10,313	218	Single-Family	23,081	258	Single-Family	20,951
19	Single-Family	13,582	59	Single-Family	24,486	99	Single-Family	14,123	139	Single-Family	12,824	179	Single-Family	10,313	219	Single-Family	23,081	259	Single-Family	20,951
20	Single-Family	13,582	60	Single-Family	24,486	100	Single-Family	14,123	140	Single-Family	12,824	180	Single-Family	10,313	220	Single-Family	23,081	260	Single-Family	20,951
21	Single-Family	13,582	61	Single-Family	24,486	101	Single-Family	14,123	141	Single-Family	12,824	181	Single-Family	10,313	221	Single-Family	23,081	261	Single-Family	20,951
22	Single-Family	13,582	62	Single-Family	24,486	102	Single-Family	14,123	142	Single-Family	12,824	182	Single-Family	10,313	222	Single-Family	23,081	262	Single-Family	20,951
23	Single-Family	13,582	63	Single-Family	24,486	103	Single-Family	14,123	143	Single-Family	12,824	183	Single-Family	10,313	223	Single-Family	23,081	263	Single-Family	20,951
24	Single-Family	13,582	64	Single-Family	24,486	104	Single-Family	14,123	144	Single-Family	12,824	184	Single-Family	10,313	224	Single-Family	23,081	264	Single-Family	20,951
25	Single-Family	13,582	65	Single-Family	24,486	105	Single-Family	14,123	145	Single-Family	12,824	185	Single-Family	10,313	225	Single-Family	23,081	265	Single-Family	20,951
26	Single-Family	13,582	66	Single-Family	24,486	106	Single-Family	14,123	146	Single-Family	12,824	186	Single-Family	10,313	226	Single-Family	23,081	266	Single-Family	20,951
27	Single-Family	13,582	67	Single-Family	24,486	107	Single-Family	14,123	147	Single-Family	12,824	187	Single-Family	10,313	227	Single-Family	23,081	267	Single-Family	20,951
28	Single-Family	13,582	68	Single-Family	24,486	108	Single-Family	14,123	148	Single-Family	12,824	188	Single-Family	10,313	228	Single-Family	23,081	268	Single-Family	20,951
29	Single-Family	13,582	69	Single-Family	24,486	109	Single-Family	14,123	149	Single-Family	12,824	189	Single-Family	10,313	229	Single-Family	23,081	269	Single-Family	20,951
30	Single-Family	13,582	70	Single-Family	24,486	110	Single-Family	14,123	150	Single-Family	12,824	190	Single-Family	10,313	230	Single-Family	23,081	270	Single-Family	20,951
31	Single-Family	13,582	71	Single-Family	24,486	111	Single-Family	14,123	151	Single-Family	12,824	191	Single-Family	10,313	231	Single-Family	23,081	271	Single-Family	20,951
32	Single-Family	13,582	72	Single-Family	24,486	112	Single-Family	14,123	152	Single-Family	12,824	192	Single-Family	10,313	232	Single-Family	23,081	272	Single-Family	20,951
33	Single-Family	13,582	73	Single-Family	24,486	113	Single-Family	14,123	153	Single-Family	12,824	193	Single-Family	10,313	233	Single-Family	23,081	273	Single-Family	20,951
34	Single-Family	13,582	74	Single-Family	24,486	114	Single-Family	14,123	154	Single-Family	12,824	194	Single-Family	10,313	234	Single-Family	23,081	274	Single-Family	20,951
35	Single-Family	13,582	75	Single-Family	24,486	115	Single-Family	14,123	155	Single-Family	12,824	195	Single-Family	10,313	235	Single-Family	23,081	275	Single-Family	20,951
36	Single-Family	13,582	76	Single-Family	24,486	116	Single-Family	14,123	156	Single-Family	12,824	196	Single-Family	10,313	236	Single-Family	23,081	276	Single-Family	20,951
37	Single-Family	13,582	77	Single-Family	24,486	117	Single-Family	14,123	157	Single-Family	12,824	197	Single-Family	10,313	237	Single-Family	23,081	277	Single-Family	20,951
38	Single-Family	13,582	78	Single-Family	24,486	118	Single-Family	14,123	158	Single-Family	12,824	198	Single-Family	10,313	238	Single-Family	23,081	278	Single-Family	20,951
39	Single-Family	13,582	79	Single-Family	24,486	119	Single-Family	14,123	159	Single-Family	12,824	199	Single-Family	10,313	239	Single-Family	23,081	279	Single-Family	20,951
40	Single-Family	13,582	80	Single-Family	24,486	120	Single-Family	14,123	160	Single-Family	12,824	200	Single-Family	10,313	240	Single-Family	23,081	280	Single-Family	20,951

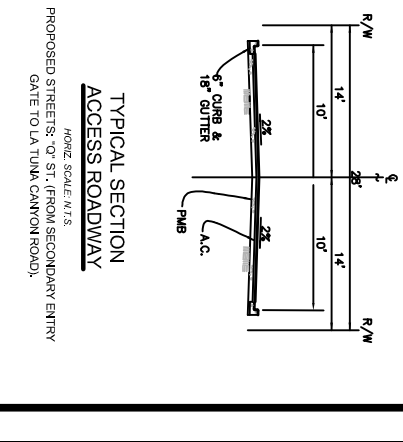
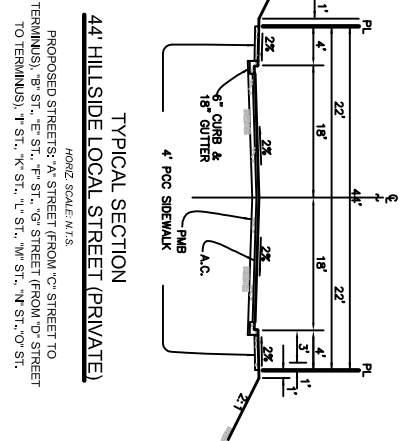
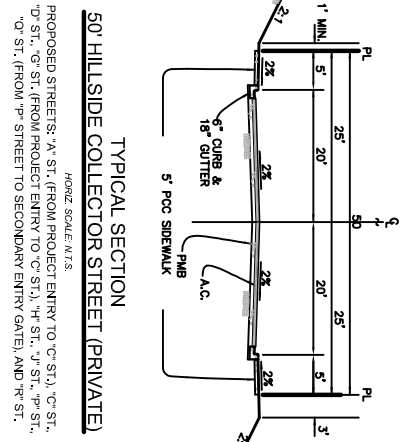
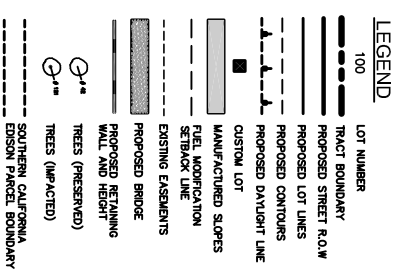



TYPICAL LOT DRAINAGE  
HORIZ. SCALE: N.T.S.

LOT NO.	DESCRIPTION	LOT SIZE (SF)	LOT NO.	DESCRIPTION	LOT SIZE (SF)	LOT NO.	DESCRIPTION	LOT SIZE (SF)
281	HOA	365,272	306	HOA	33,954	331	HOA	264,632
282	HOA	113,756	307	HOA	169,386	332	HOA	61,283
283	HOA	24,529	308	HOA	352,021	333	HOA	114,601
284	HOA	61,680	309	HOA	179,640	334	HOA	235,213
285	HOA	31,544	310	HOA	18,246	335	HOA	507,113
286	RECREATION LOT	41,702	311	BASIN	32,733	336	HOA	77,280
287	HOA	104,656	312	HOA	38,510	337	HOA	297,656
288	HOA	358,297	313	RECREATION LOT	40,411	338	HOA	71,411
289	HOA	271,689	314	HOA	43,514	339	HOA	350,986
290	HOA	47,428	315	HOA	29,476	340	HOA	297,656
291	HOA	91,538	316	BASIN	40,516	341	HOA	159,628
292	HOA	574,056	317	HOA	183,070	342	HOA	169,531
293	HOA	162,222	318	HOA	115,329	343	HOA	366,094
294	RECREATION LOT	12,959	319	HOA	297,094	344	HOA	221,290
295	HOA	83,391	320	HOA	4,307	345	BASIN	113,669
296	BASIN	23,184	321	BASIN	24,135	346	HOA	1,246,767
297	HOA	477,443	322	HOA	6,871	347	RECREATION LOT	224,678
298	WATER TANK	68,285	323	HOA	97,953	348	BASIN	27,127
299	HOA	53,615	324	HOA	256,695	349	HOA	34,515
300	RECREATION LOT	38,614	325	HOA	50,597	350	RECREATION LOT	58,925
301	HOA	42,877	326	HOA	65,930	351	HOA	127,680
302	HOA	42,877	327	BASIN	65,930	352	BASIN	23,083
303	HOA	31,158	328	BASIN	43,163	353	HOA	127,680
304	HOA	186,806	329	HOA	19,105	354	HOA	71,892
305	RECREATION LOT	69,592	330	HOA	570,458	355	BASIN	30,183



EMERGENCY ACCESS ROAD DETAIL  
SCALE: 1" = 100'





6345 Bolinas Blvd. Suite 140  
San Francisco, CA 94134  
Phone: (415) 345-5341  
Fax: (415) 345-5341  
R.C.E. NO. 28973 DATE: EXP. DATE 12-31-05

**DESIGNED:** O.A.  
**DRAWN:** O.A.  
**CHECKED:**

**OWNER:** WHITEBIRD, INC.  
Doing Business in California as California Whitebird, Inc.  
F.L.E. & M. Employees Defined Contribution Plan Trust  
444 S. FLOWER STREET, SUITE 1300  
LOS ANGELES, CA 90071

**DEVELOPER:** WHITEBIRD, INC.  
Doing Business in California as California Whitebird, Inc.  
444 S. FLOWER STREET, SUITE 1300  
LOS ANGELES, CA 90071

VESTING TENTATIVE TRACT  
MAP No. 061672  
IN THE CITY OF LOS ANGELES

PROJECT NO. 150101

SHEET 2