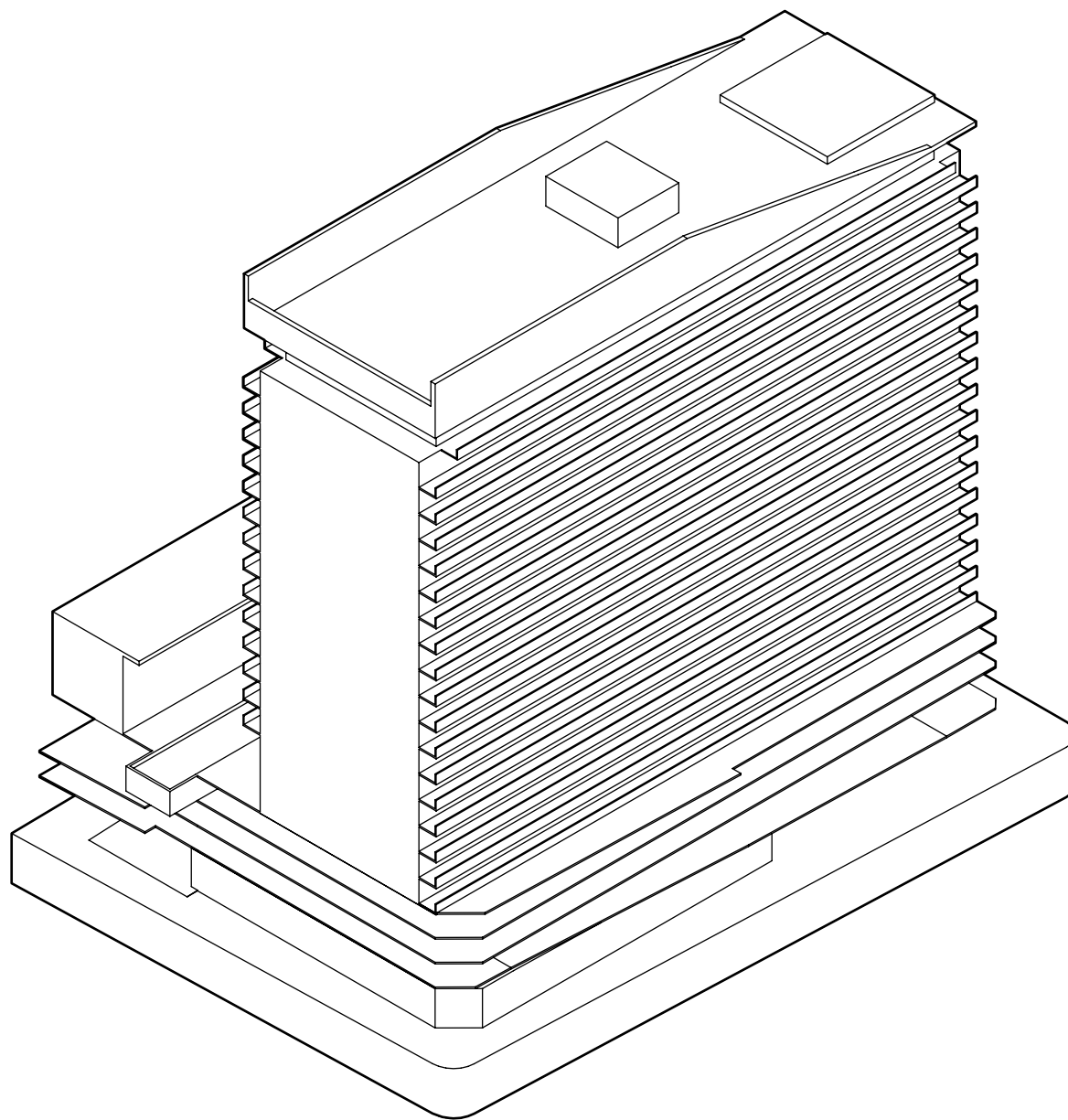


37 stories
420'-0" tall
319 units
370,605 net sqft.
487 parking spaces



SOURCE: Levin & Associates, Morphosis – February 2005

FIGURE **IV.K-12**

12th Street Building Elevation